

Technical Specifications

PRK-24 (XPR) PRESSURE REGULATOR

The PRK-24 (XPR*) may be used with any of the following valves:

8200CR Series

11000CR Series

21000CR Series

*XPR indicates factory installed

FEATURES

- The Weathermatic PRK-24 (XPR) pressure regulating module senses inlet pressure and maintains constant outlet pressure regardless of inlet pressure variation
- Maximum inlet pressure: 150 psi (10,3 bar)
- Minimum flow (see valve tables)
- Maximum flow (see valve tables)
- Minimum pressure differential between inlet and outlet: 10 psi (0,7 bar)
- Regulated pressure range at outlet: 15-110 psi (1,0 - 7,6 bar) (± 5 psi, $\pm 0,35$ bar)
- Manual flow and bleed control
- Regulates pressure when valve is operated electrically or manually
- Downstream connection for accurate pressure sensing
- Schrader valve for connecting pressure gauge



PRK-24 (XPR) shown on 21000 Series Valve

Technical Specifications

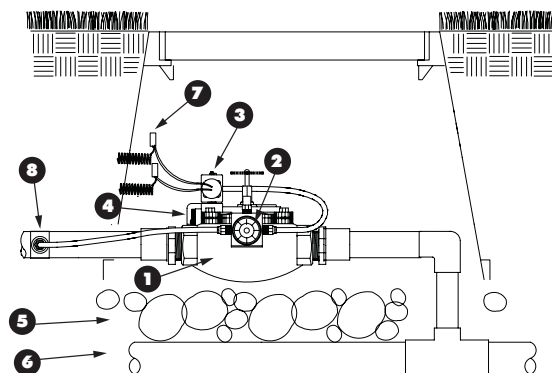
PRK-24 (XPR) PRESSURE REGULATOR

PRESSURE REGULATOR shall be the XPR option (Factory installed) or PRK-24 (field installed) pressure regulating device as manufactured by Weathermatic Sprinkler Division of Telsco Industries, or approved equal. The pressure-regulating valve shall provide a constant, predetermined outlet pressure regardless of fluctuations in inlet pressures provided the inlet pressure exceeds the predetermined outlet pressure.

OPERATION: The valve shall regulate pressure during manual operation when using the manual bleed lever installed in the regulator adapter, or electrically from the controller. Once in operation the outlet pressure shall remain constant with a maximum possible variation of +/- 5 psi of the outlet pressure. The adjustment range for the regulator shall be 15 to 110 psi and requires only 10 psi differential for operation. Regulator shall sense (down stream) pressure via a sensing tap. It is recommended this sensing tap be made downstream at least 10 pipe diameters. The regulating device shall accept the Weathermatic PRG-24 hose gauge assembly. The hose gauge assembly shall have a quick connect hose fitting for the Schrader valve on the XPR or PRK-24 regulators. Assembly shall have a 36" long, high-pressure hose and provide accurate reading of outlet pressure on a 0-160 psi scale.

The pressure regulating kit shall retrofit existing valves without modification to the valve.

WARRANTY: The XPR and PRK-24 shall have a manufacturer's limited warranty of not less than three (3) years. However, use of the XPR or PRK-24 shall not void published warranties of Weathermatic remote control valves.



- PRK-24 PRESSURE REGULATOR**
1. WEATHERMATIC REMOTE CONTROL VALVE
 2. REGULATOR ADJUSTMENT DIAL
 3. REGULATOR/SOLENOID ASSEMBLY
 4. MANUAL BLEED LEVER
 5. 3/4 INCH GRAVEL SUPPORTER
 6. RECTANGULAR VALVE BOX
 7. EXPANSION COIL AND WATERPROOF CONNECTOR
 8. PRESSURE SENSOR 10 PIPE DIAMETERS DOWNSTREAM



3301 W. Kingsley Road
Garland, Texas 75041-2207
888-484-3776 Fax: 972-271-5710
www.weathermatic.com